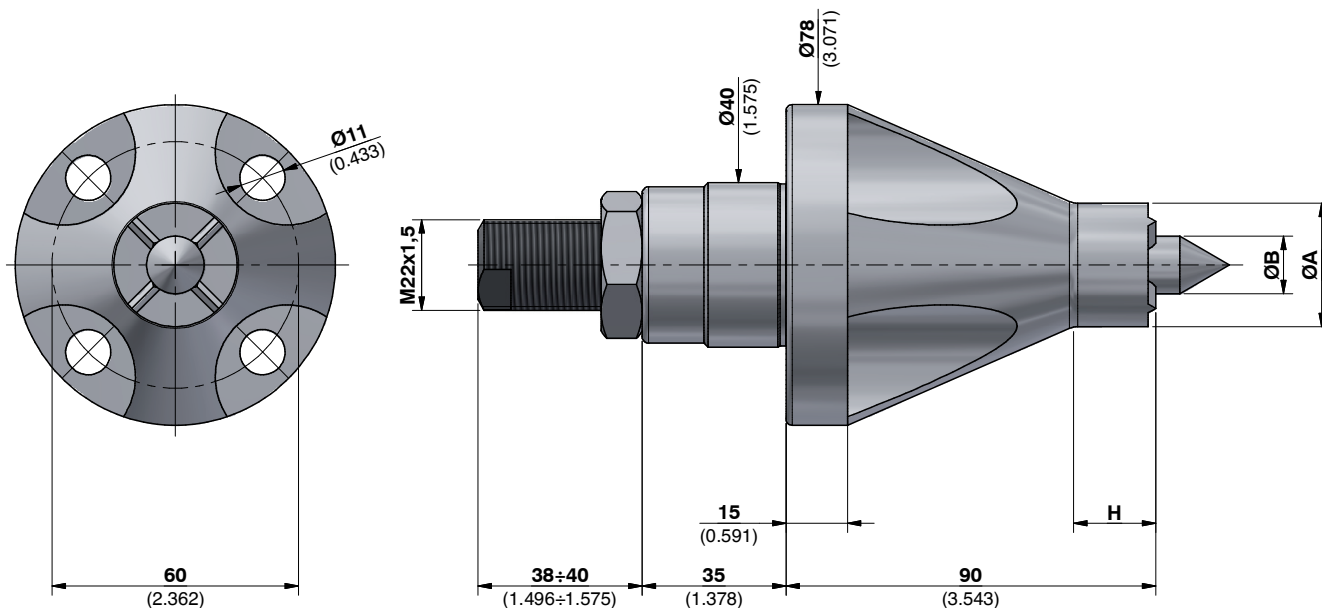


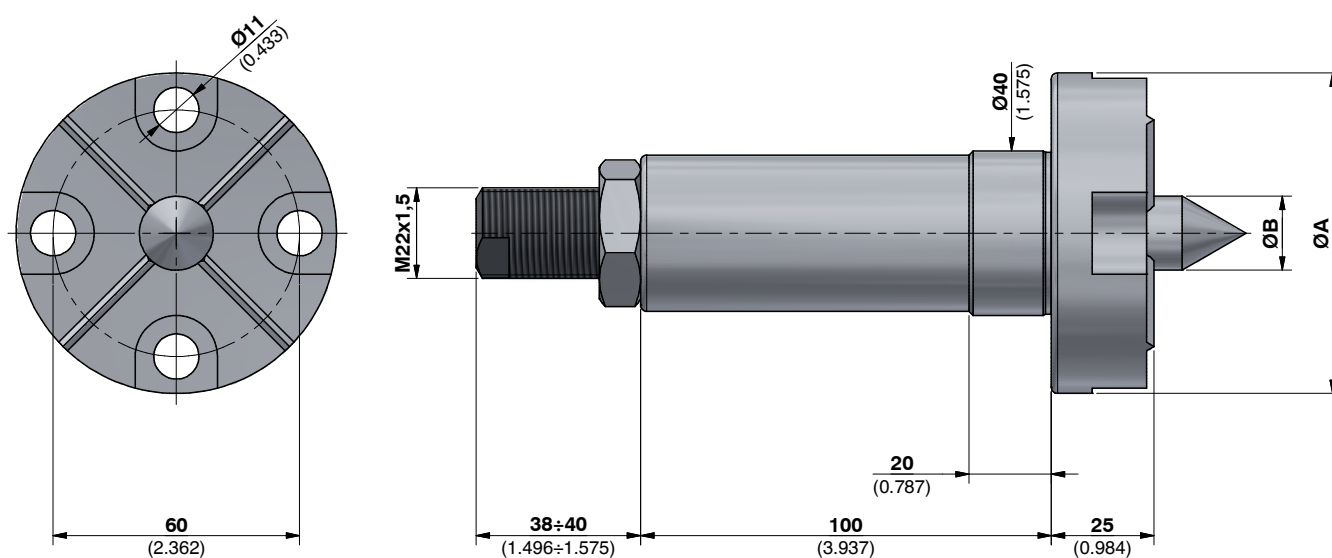


## TRASCINATORE A DENTI FISSI PER DENTATRICI FACE DRIVER WITH FIXED TEETH FOR GEAR CUTTING MACHINES

SERIE  
SERIES



Barcode	TRASCINATORI A DENTI FISSI FACE DRIVERS WITH FIXED DRIVING TEETH		
	$\varnothing A$	$\varnothing B$	H
060600451	13 (0.512)	6 (0.236)	15 (0.591)
060600452	20 (0.787)	8 (0.315)	20 (0.787)
060600456	30 (1.181)	14 (0.551)	20 (0.787)
060600453	40 (1.575)	18 (0.709)	20 (0.787)



Barcode	TRASCINATORI A DENTI FISSI FACE DRIVERS WITH FIXED DRIVING TEETH	
	$\varnothing A$	$\varnothing B$
060600454	78 (3.071)	8 (0.315)
060600455	78 (3.071)	18 (0.709)