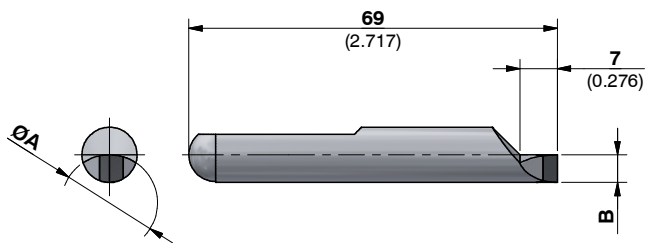
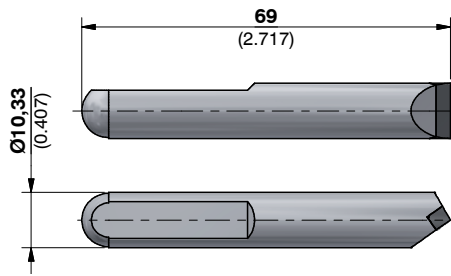






## ARTIGLI DRIVING PINS



**ØA** Diametro di presa degli artigli  
Clamping diameter of the driving pins

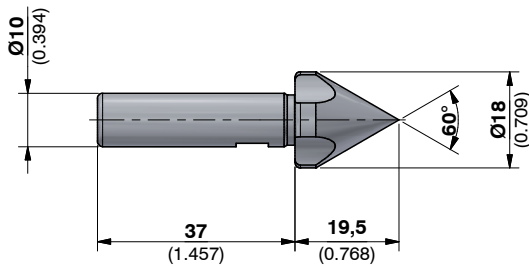
	Ø A
080920003	35,3 (1.390)

	Ø A	B
091920114	21 (0.827)	3,2 (0.126)
091920116	23 (0.906)	4,2 (0.165)
091920118	25 (0.984)	5,2 (0.205)
091920120	27 (1.063)	6,2 (0.244)
091920122	29 (1.142)	7,2 (0.283)
091920124	31 (1.220)	8,2 (0.323)
091920126	33 (1.299)	9,2 (0.362)

# 20/80

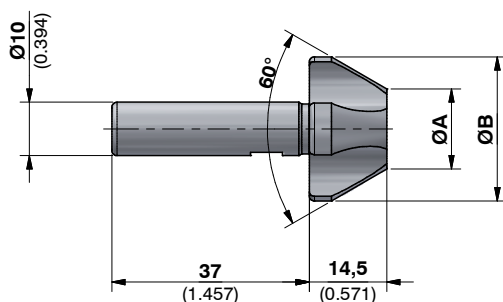
SERIE  
SERIES

## PUNTA CENTRALE CENTER POINT



072102770

## PUNTE CENTRALI A CAPRUGGINE CENTER POINTS WITH SLOTS



	Dimensioni Dimensions		Per centri o fori For centers or holes	
	Ø A	Ø B	dal / from Ø	al / to the Ø
171712021	12 (0.472)	24 (0.945)	15 (0.591)	23 (0.906)
171712023	15 (0.591)	27 (1.063)	18 (0.709)	26 (1.024)
171712025	18 (0.709)	30 (1.181)	21 (0.827)	29 (1.142)
171712028	24 (0.945)	36 (1.417)	26 (1.024)	31 (1.220)