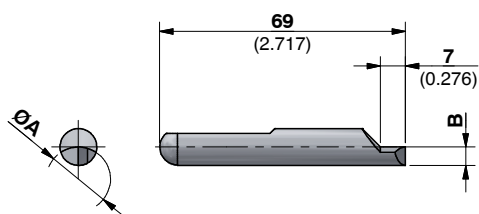
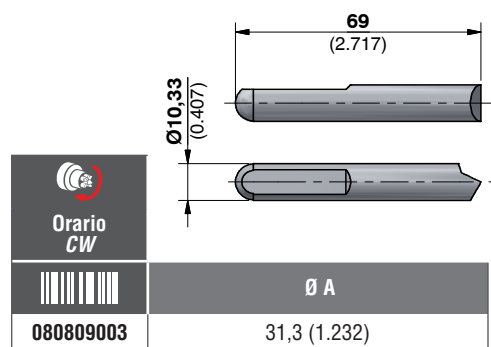
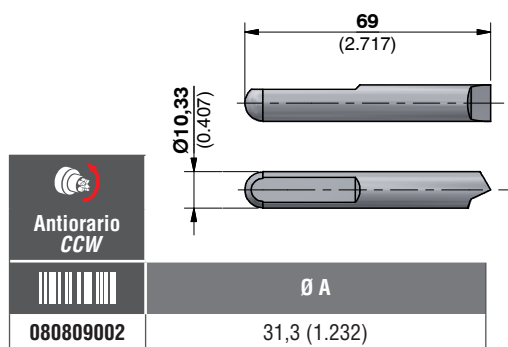


ARTIGLI DRIVING PINS



ØA Diametro di presa degli artigli
Clamping diameter of the driving pins

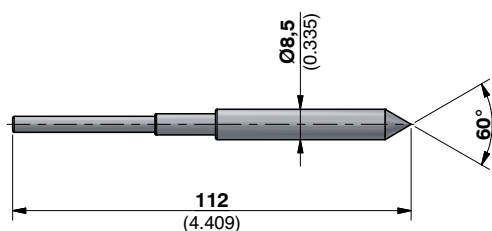
	Antiorario CCW	
	Ø A	B
090909014	17 (0.669)	3,1 (0.122)
090909015	18 (0.709)	3,6 (0.142)
090909016	19 (0.748)	4,1 (0.161)
090909017	20 (0.787)	4,6 (0.181)
090909018	21 (0.827)	5,1 (0.201)
090909019	22 (0.866)	5,6 (0.220)
090909020	23 (0.906)	6,1 (0.240)
090909021	24 (0.945)	6,6 (0.260)
090909022	25 (0.984)	7,1 (0.280)
090909023	26 (1.024)	7,6 (0.299)
090909024	27 (1.063)	8,1 (0.319)
090909025	28 (1.102)	8,6 (0.339)

	Orario CW	
	Ø A	B
090909114	17 (0.669)	3,1 (0.122)
090909115	18 (0.709)	3,6 (0.142)
090909116	19 (0.748)	4,1 (0.161)
090909117	20 (0.787)	4,6 (0.181)
090909118	21 (0.827)	5,1 (0.201)
090909119	22 (0.866)	5,6 (0.220)
090909120	23 (0.906)	6,1 (0.240)
090909121	24 (0.945)	6,6 (0.260)
090909122	25 (0.984)	7,1 (0.280)
090909123	26 (1.024)	7,6 (0.299)
090909124	27 (1.063)	8,1 (0.319)
090909125	28 (1.102)	8,6 (0.339)

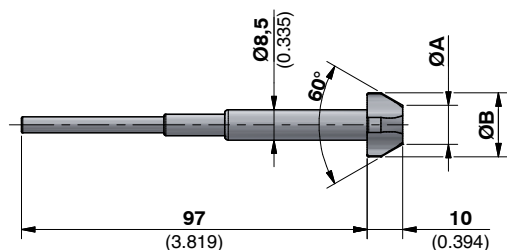
15/55

SERIE
SERIES

PUNTA CENTRALE CENTER POINT



PUNTE CENTRALI A CAPRUGGINE CENTER POINTS WITH SLOTS



	Dimensioni Dimensions		Per centri o fori For centers or holes	
	Ø A	Ø B	dal / from Ø	al / to the Ø
171711015	5 (0.197)	12 (0.472)	7,5 (0.295)	10,5 (0.413)
171711016	8 (0.315)	15 (0.591)	10,5 (0.413)	13,5 (0.531)
171711017	11 (0.433)	18 (0.709)	13,5 (0.531)	16,5 (0.650)
171711019	14 (0.551)	21 (0.827)	16,5 (0.650)	19,5 (0.768)
171711020	17 (0.669)	24 (0.945)	19,5 (0.768)	22,5 (0.886)
171711022	20 (0.787)	27 (1.063)	22,5 (0.886)	25,5 (1.004)

