

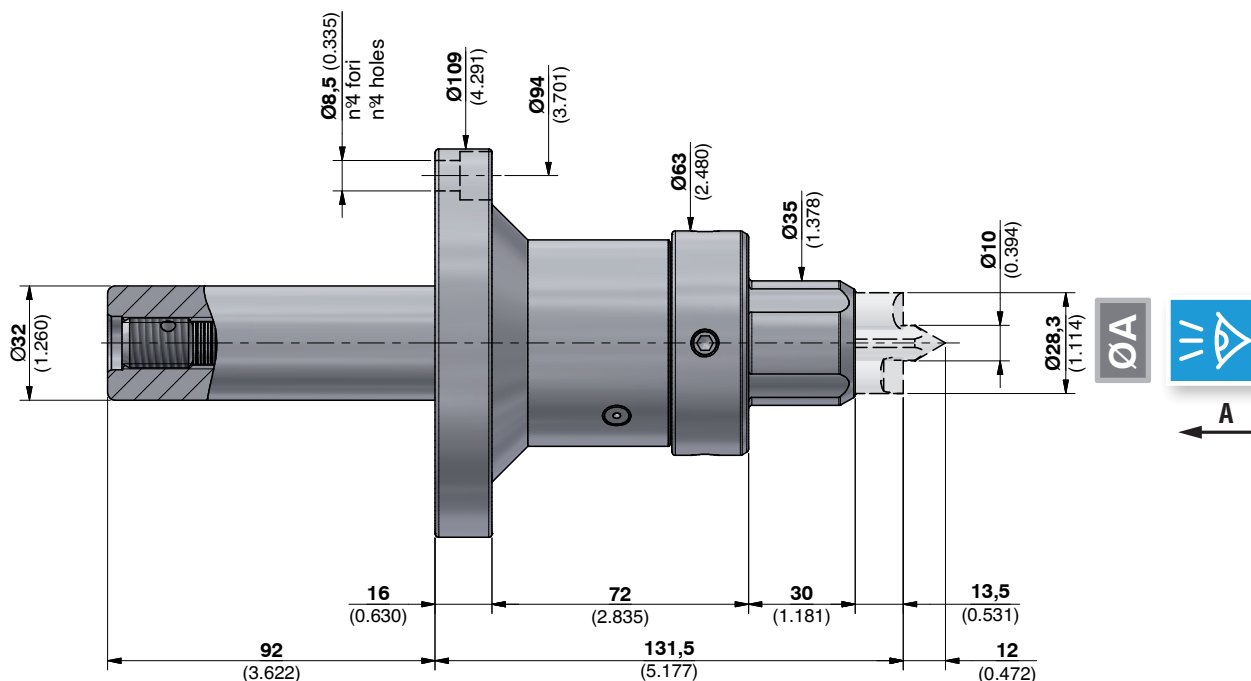


## TRASCINATORE FRONTALE 12/50 VERSIONE FLANGIATA FACE DRIVER 12/50 FLANGED VERSION



# 12/50

SERIE  
SERIES

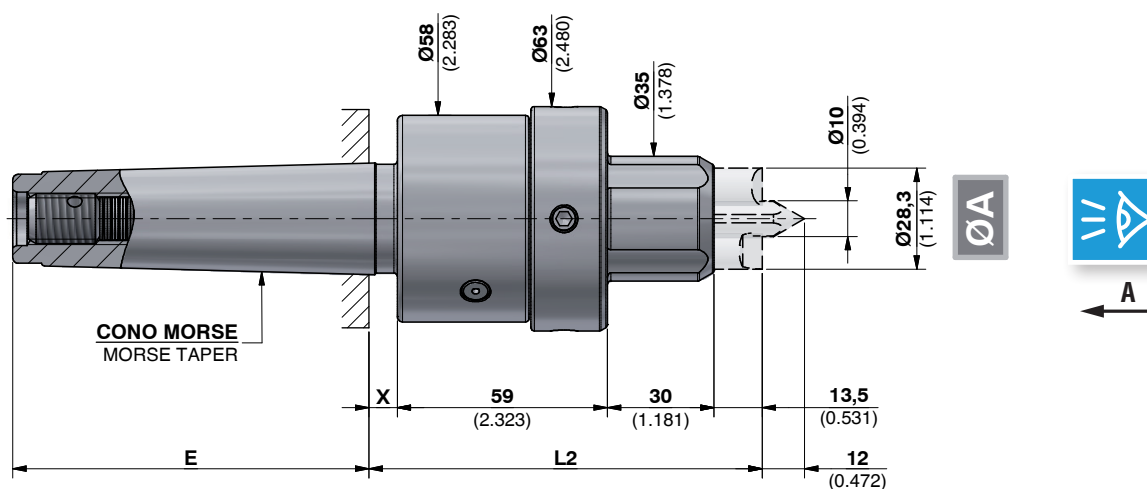


**ATTENZIONE: Punta centrale e artigli NON SONO COMPRESI nel trascinatore.**  
**ATTENTION: Center point and driving pins ARE NOT INCLUDED in the face driver.**



070760018A

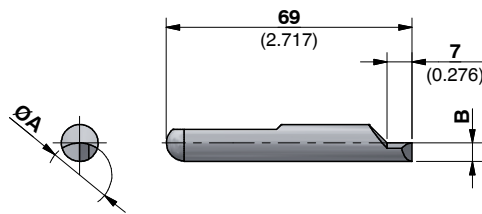
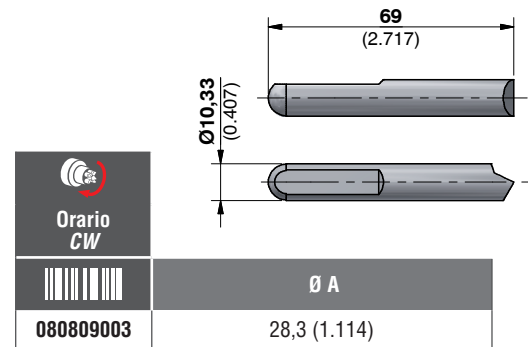
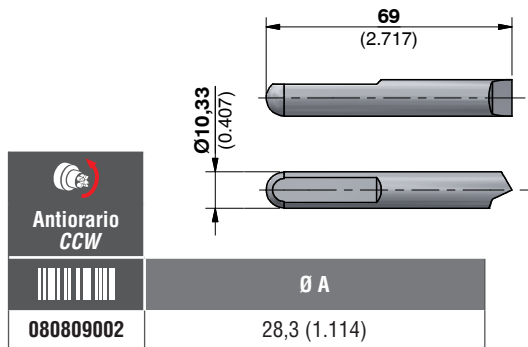
## TRASCINATORE FRONTALE 12/50 VERSIONE CONO MORSE FACE DRIVER 12/50 MORSE TAPER VERSION



**ATTENZIONE: Punta centrale e artigli NON SONO COMPRESI nel trascinatore.**  
**ATTENTION: Center point and driving pins ARE NOT INCLUDED in the face driver.**

Barcode	Icon	E	X	L2
070752033A	CM3/MT3	79 (3.110)	6 (0.236)	108,5 (4.272)
070752141A	CM4/MT4	100 (3.937)	8 (0.315)	110,5 (4.350)
070752251A	CM5/MT5	100 (3.937)	8 (0.315)	110,5 (4.350)
070752361A	CM6/MT6	100 (3.937)	8 (0.315)	110,5 (4.350)

## ARTIGLI DRIVING PINS



**ØA** Diametro di presa degli artigli  
Clamping diameter of the driving pins

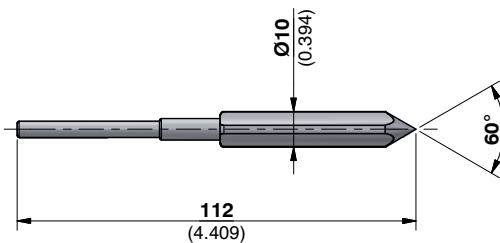
	<b>Antiorario CCW</b>	Ø A	B
	<b>090909014</b>	14 (0.551)	3,1 (0.122)
	<b>090909015</b>	15 (0.591)	3,6 (0.142)
	<b>090909016</b>	16 (0.630)	4,1 (0.161)
	<b>090909017</b>	17 (0.669)	4,6 (0.181)
	<b>090909018</b>	18 (0.709)	5,1 (0.201)
	<b>090909019</b>	19 (0.748)	5,6 (0.220)
	<b>090909020</b>	20 (0.787)	6,1 (0.240)
	<b>090909021</b>	21 (0.827)	6,6 (0.260)
	<b>090909022</b>	22 (0.866)	7,1 (0.280)
	<b>090909023</b>	23 (0.906)	7,6 (0.299)
	<b>090909024</b>	24 (0.945)	8,1 (0.319)
	<b>090909025</b>	25 (0.984)	8,6 (0.339)

	<b>Orario CW</b>	Ø A	B
	<b>090909114</b>	14 (0.551)	3,1 (0.122)
	<b>090909115</b>	15 (0.591)	3,6 (0.142)
	<b>090909116</b>	16 (0.630)	4,1 (0.161)
	<b>090909117</b>	17 (0.669)	4,6 (0.181)
	<b>090909118</b>	18 (0.709)	5,1 (0.201)
	<b>090909119</b>	19 (0.748)	5,6 (0.220)
	<b>090909120</b>	20 (0.787)	6,1 (0.240)
	<b>090909121</b>	21 (0.827)	6,6 (0.260)
	<b>090909122</b>	22 (0.866)	7,1 (0.280)
	<b>090909123</b>	23 (0.906)	7,6 (0.299)
	<b>090909124</b>	24 (0.945)	8,1 (0.319)
	<b>090909125</b>	25 (0.984)	8,6 (0.339)

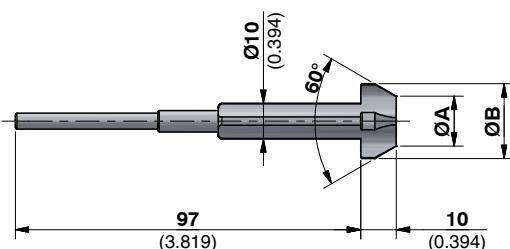
# 12/50

SERIE  
SERIES

## PUNTA CENTRALE CENTER POINT



## PUNTE CENTRALI A CAPRUGGINE CENTER POINTS WITH SLOTS



	Dimensioni Dimensions		Per centri o fori For centers or holes		
	Ø A	Ø B	dal / from Ø	al / to the Ø	
	<b>171711009</b>	5 (0.197)	12 (0.472)	7,5 (0.295)	10,5 (0.413)
	<b>171711010</b>	8 (0.315)	15 (0.591)	10,5 (0.413)	13,5 (0.531)
	<b>171711011</b>	11 (0.433)	18 (0.709)	13,5 (0.531)	16,5 (0.650)
	<b>171711012</b>	14 (0.551)	21 (0.827)	16,5 (0.650)	19,5 (0.768)
	<b>171711013</b>	17 (0.669)	24 (0.945)	19,5 (0.768)	22,5 (0.886)
	<b>171711014</b>	20 (0.787)	27 (1.063)	22,5 (0.886)	25,5 (1.004)